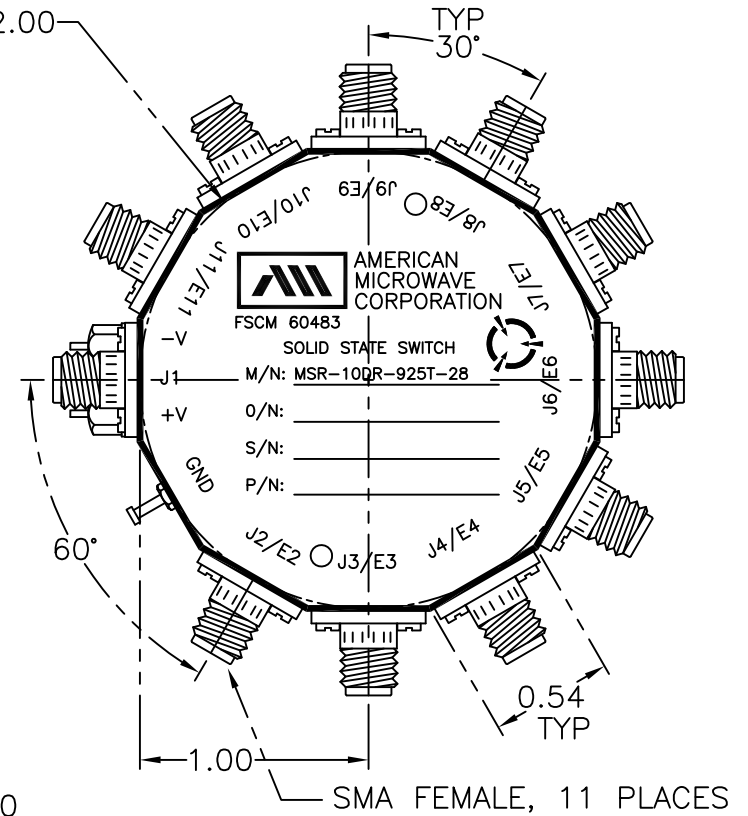
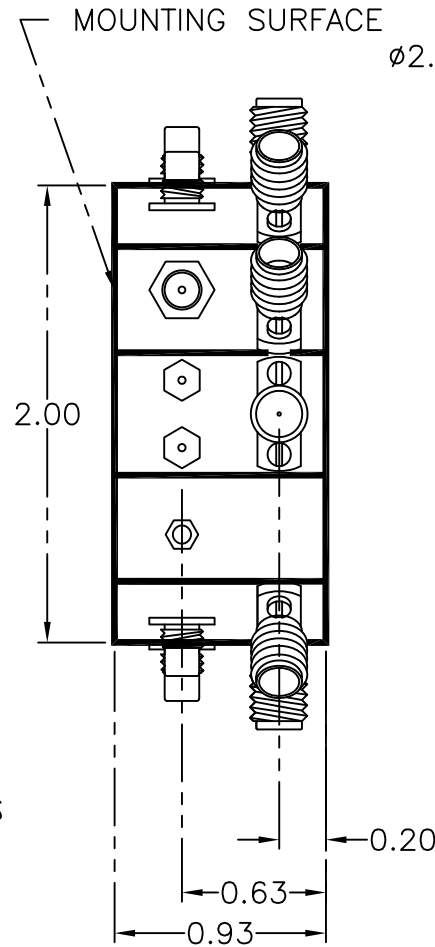
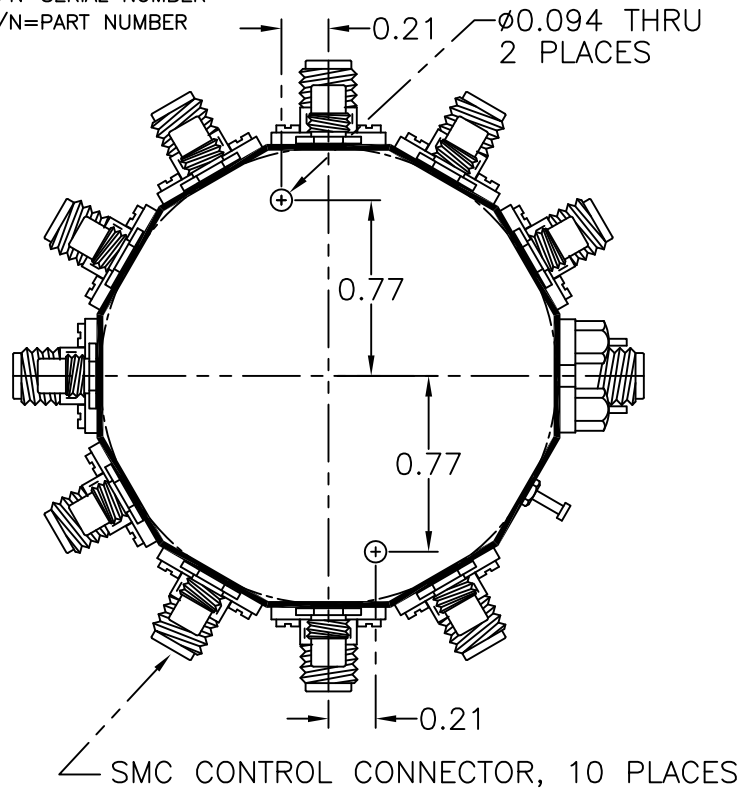


M/N=MODEL NUMBER
 O/N=OPTION NUMBER
 S/N=SERIAL NUMBER
 P/N=PART NUMBER

REVISIONS				
ZONE	REV.	DESCRIPTION	DATE	APPROVED
	A	SEE ER# 004-13	1/28/13	RA



SPECIFICATIONS:

- FREQUENCY: 2 TO 8GHz
- INSERTION LOSS: 3.0dB MAXIMUM
- ISOLATION: 50dB MINIMUM
- VSWR: 2.0:1 MAXIMUM
- PHASE MATCHING: \pm 20° MAXIMUM PORT TO PORT
- SPEED: DELAY ON: 200nSEC MAXIMUM
 DELAY OFF: 200nSEC MAXIMUM
- RF POWER: 1W MINIMUM(CW)
- POWER SUPPLY: +5V @ 500 mA MAXIMUM
 -5V @ 100 mA MAXIMUM
- TTL CONTROL SIGNAL: "0" = ON; "1" = OFF
- CONNECTORS: RF: SMA FEMALE
 CONTROL: SMC MALE
 POWER SUPPLY: SOLDER PIN

PRELIMINARY

ALL DIMENSIONS ARE IN INCHES
 TOLERANCES:
 X.XX \pm 0.020
 X.XXX \pm 0.010

ENVIRONMENTAL RATINGS:

- TEMPERATURE: +10°C TO +40°C (OPERATING)
 -10°C TO +70°C (STORAGE)
- HUMIDITY: MIL-STD-202F, METHOD 103B COND. B
- SHOCK: MIL-STD-202F, METHOD 213B COND. B
- VIBRATION: MIL-STD-202F, METHOD 204D COND. B
- ALTITUDE: MIL-STD-202F, METHOD 105C COND. B
- TEMPERATURE CYCLE: MIL-STD-202F, METHOD 107D COND. A

NOTE: SPECIFICATIONS WILL VARY OVER OPERATING TEMPERATURE
 NOTE: THE ABOVE SPECIFICATIONS ARE SUBJECT TO CHANGE OR REVISION

* Units are designed to meet Environmental ratings but not tested. If Environmental Testing is required, please contact Sales Department.

PART NO.		AMERICAN MICROWAVE CORPORATION FREDERICK, MARYLAND		
APPROVALS	DATE	TITLE		
DRAWN K JPMMS	1/28/13	PRODUCT FEATURE MSR-10DR-925T-28		
ENG RA	1/28/13	SIZE	FSCM NO.	DWG NO.
QAE K JPMMS	1/28/13	A	60483	100-8404
SCALE				REV. A
				SHEET 1 of 1